

144U836H190 46" Garden Tractor Hydrostatic GT-185 (1994)  
Cowl & Frame Assembly

Page 2 of 22

Ref #	Part Number	Qty	S/P/F	Description
1	731-1429	1	S	Hood
2	710-0896	1	/P	Hex Wash. B-Tap Scr. 1/4 x .62" Lg.
3	726-0233	1	/P	Bolt Retainer 1/4" I.D.
4	710-0776A	1	S	Hex AB-Tap Scr. 1/4 x .62" Lg.
5	712-3014	1		Hex Nut 1/2-27 Thd.
6	710-0351	1	/P	Truss Mach. B-Tap Scr. #10 x .5" Lg.
7	710-0200	1		Hex Wash Hd. AB-Tap Scr. #8 x .5" Lg.
8	16903A	1	S	Hood Plate
9	725-0893	1	S	Toggle Switch
10	723-0416	1		Screen
11	746-0614A	1	/P	Choke Control
12	17294	1		Dash Support Brkt. - L.H.
14	16902A	1		Hood Hinge Code: N notates a new part (not previously existing).
15	725-0963	1	S	Lamp
16	725-1649	1	S	Twist Lock - Lamp Socket
17	777-8516	1		Reflector - Headlight
18	722-0199	1		Foam Seal
19	731-1053A	1	S	Speed Control Index Brkt.
20	710-0376	1	/P/F	Hex Bolt 5/16-18 x 1.0" Lg.
21	731-1430	1	S	Grille
22	17293B	1	S	Dash Support Bracket - R.H.
23	736-0119	1	S/F	L-Wash. 5/16" I.D.
24	712-0267	1	S/F	Hex Nut 5/16-18 Thd.
25	736-0176	1	S	FI-Wash. 1/4" I.D. x .93" O.D.
26	726-0278	1		Insulator Boss Plate
27	725-1439	1		Seat Spring Switch
32	710-0726	1	/P	Hex Wash. Hd. AB-Tap Scr. 5/16 x .75" Lg.
33	738-0435	1		Running Board Rod
34	16922	1		Running Board - R.H.
	16921	1		Running Board - L.H.
36	712-0287	1	S/F	Hex Nut 1/4-20 Thd.
37	736-0329	1	S/F	L-Wash. 1/4" I.D.
39	710-0166	1	S	Truss Mach. Scr. 1/4-20 x 1.0 Lg.
41	17360A	1		R.H. Side Frame
42	17635	1	S	Battery Plate
43	17330A	1		Rear Fender
44	750-0755	1		Spacer .33" I.D. x .625" O.D.
45	710-0167	1	/P/F	Carriage Bolt 1/4-20 x .50" Lg.
46	736-0278	1		FI-Wash. .328" I.D. x .68" O.D.
47	17393A	1	S	Transmission Panel
48	725-1643	1		Reverse Safety Switch
49	726-0279	1		Insulator Plate
50	16848C	1	S	Seat Plate
51	17361B	1		L.H. Side Frame
52	750-0754	1		Shld. Spacer .33" I.D.
53	736-0142	1	S	FI-Wash. .281" I.D. x .5" O.D.
54	712-0158	1	S	Hex Cent. L-Nut 5/16-18 Thd.
55	731-1432A	1	S	Side Cover Ass'y. - R.H. Code: N notates a new part (not previously existing).

144U836H190 46" Garden Tractor Hydrostatic GT-185 (1994)  
Cowl & Frame Assembly

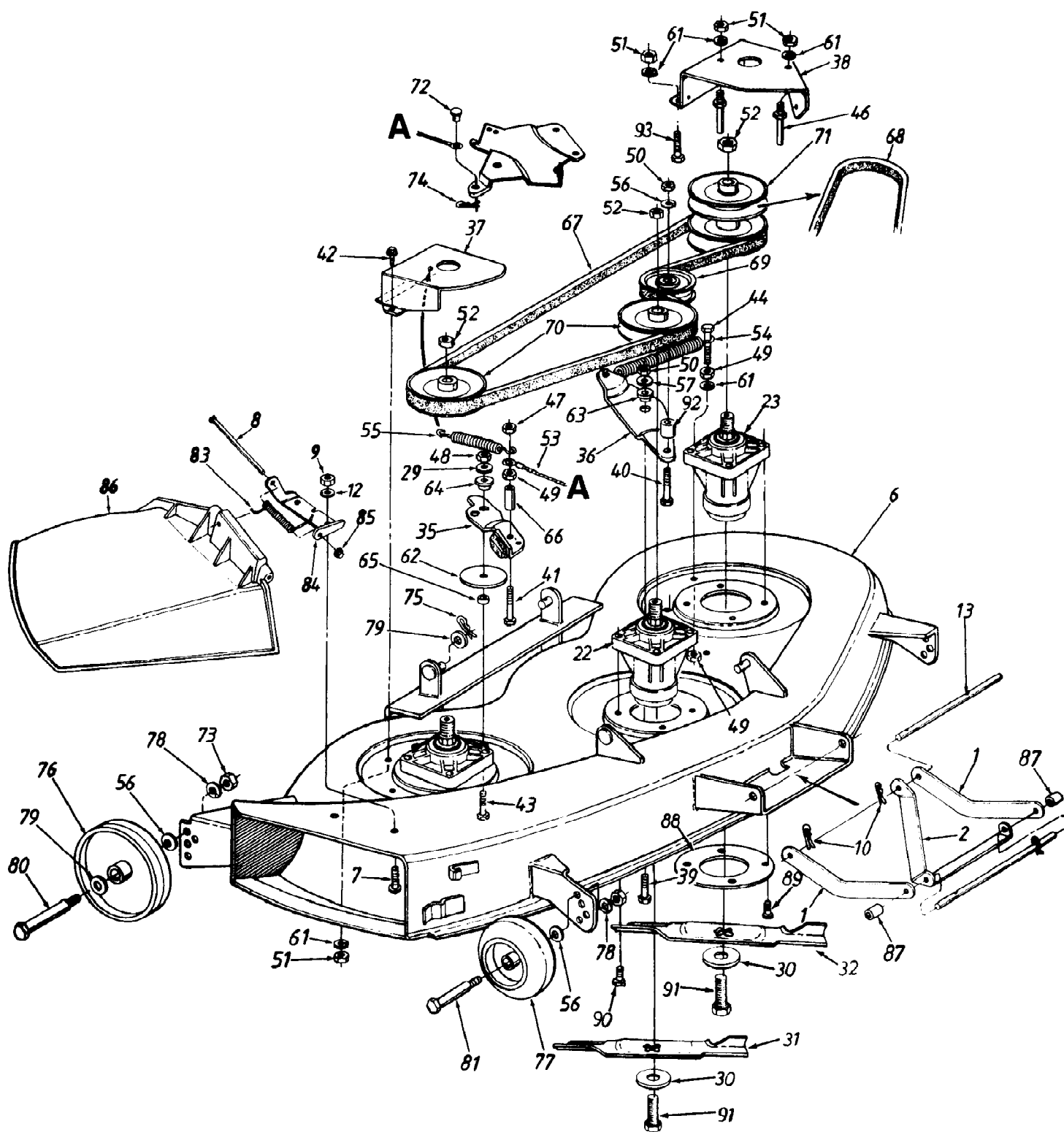
Page 3 of 22

Ref #	Part Number	Qty	S/P/F	Description
	731-1431A	1		Side Cover Ass'y. - L.H. Not shown. Code: N notates a new part (not previously existing).
56	710-1034	1		Double Ended Stud 1/4-20 Thd.
57	710-0118	1	S/F	Hex Bolt 5/16-18 x .75" Lg.
58	736-0222	1	S	Ext. L-Wash. 1/4" I.D.
59	831-0823A	1	/P	Throttle Control Box Ass'y.
60	746-0630	1	S	Throttle Control Wire 35" Lg.
61	710-0258	1	S/F	Hex Bolt 1/4-20 x .62" Lg.
62	736-0173	1	/P	FI-Wash. .281" I.D. x .73" O.D.
63	725-1341B	1	/P	Ignition Key
64	725-1396	1	S	Ignition Switch
65	731-1511	1		Dash Panel Code: N notates a new part (not previously existing).
66	725-0634	1	S	Light Switch
67	725-0925	1	S	Ammeter
68	731-1038	1	S	Lens
69	725-1347	1	/P	Ignition Switch Cap
70	757-0370	1	S	Seat Ass'y. Code: N notates a new part (not previously existing).
71	725-3018	1		Taillight Ass'y.
72	726-0139	1	/P	Speed Nut #10Z
73	725-1346	1	S	Ignition Switch Nut
74	710-0779A	1	/P	Truss Mach. AB-Tap Scr. #10 x .5" Lg.
75	710-0936	1		Truss Hd. AB-Tap Scr. #6 x .62"
76	783-0120	1	S	Indicator Brkt.
77	710-0642	1	/P	Hex Wash. Hd. Tap Scr. 1/4 x .75" Lg.
78	731-0405	1		Snap Bushing
79	710-0227	1	/P	Hex Wash. Hd. AB-Tap Scr. #8 x .50" Lg.
80	712-0291	1	S	Hex L-Nut 1/4-20 Thd.
81	710-0603	1	/P	Hex Wash. Hd. B-Tap Scr. 5/16-18 x .5" Lg.
84	732-0581B	1	S	Ext. Spring 5.31" Lg.
85	17239A	1	S	Seat Lift Brkt.
86	736-0242	1	/P	Bell-Wash. .345" I.D. x .88" O.D.
87	710-0323	1	/P	Truss Machine Scr. 5/16-18 x .75" Lg.
88	17406	1	S	Fender Bracket - R.H.
	17407	1	S	Fender Bracket - L.H.
90	738-0296	1	S	Shld. Bolt .437" Dia. x .268"
91	17701	1	S	Seat Pivot Brkt. Support - L.H.
92	738-0155	1	S	Shld. Bolt .437" Dia. x .162"
93	17702	1	S	Seat Pivot Brkt. Support - R.H.
94	725-1303	1	S	Spring Switch
95	736-0141	1	S	Spr. - Wash. .445" I.D.
96	710-1228	1	S	Torx Hd. Tap Scr. 5/16-18 x .75"
97	736-3078	1	/P	FI-Wash. .344" I.D. x 1" O.D.
98	722-0160	1		Bushing
99	732-0588	1		Compression Spring
100	783-0039	1	S	Seat Pivot Bracket
101	710-0623	1	/P	Hex Tap Scr. 3/8-16 x .75"
104	731-1051	1		Foot Pad
105	710-0599	1	/P	Hex Tap Scr. 1/4-20 x .5" Lg.
111	712-0185	1		Speed Nut 1/4-20 Thd.

144U836H190 46" Garden Tractor Hydrostatic GT-185 (1994)  
Cowl & Frame Assembly

Page 4 of 22

Ref #	Part Number	Qty	S/P/F	Description
113	710-0176	1	/P	Hex Bolt 5/16-18 x 2.75"
114	725-1426	1	S	Solenoid
115	712-0271	1	/P	Hex Sems Nut 1/4-20 Thd.
116	710-0289	1	S/F	Hex Bolt 1/4-20 x .5" Lg.
117	710-1012	1	/P	Rib Neck Bolt 5/16-24 x .75" Lg.
118	712-0123	1	/P	Hex Nut 5/16-24 Thd.
119	17782	1		Retainer Clip
120	726-0320	1	S	Insulator Nut Plate
121	736-0270	1	/P	Bell-Wash. .265" I.D. x .75" O.D.



144U836H190 46" Garden Tractor Hydrostatic GT-185 (1994)  
Deck And Chute Assembly

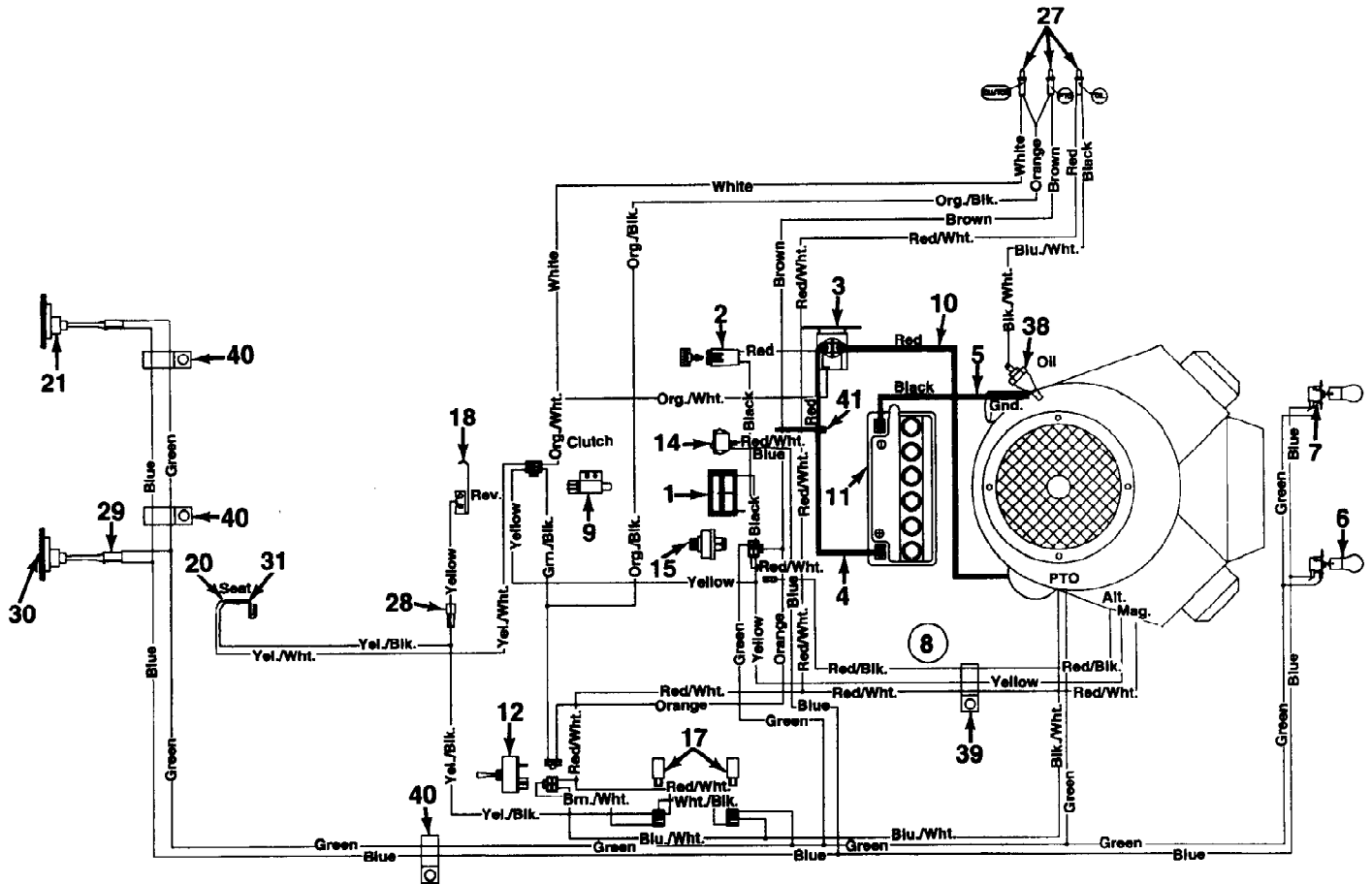
Page 6 of 22

Ref #	Part Number	Qty	S/P/F	Description
1	17347	1	S	Deck Stabilizer
2	17264	1	S	Diagonal Brace
6	683-0052	1		46" Deck Ass'y. Comp.
	683-0053	1		46" Deck Ass'y. Comp. (Style 9)
	683-0054	1	S	46" Deck Ass'y. Comp. (Electric Clutch)
7	710-0258	1	S	Hex Bolt 1/4-20 x .62" Lg.
8	711-0792	1	S	Hinge Pin
9	712-0287	1	S/F	Hex Nut 1/4-20 Thd.
10	714-0149B	1	S	Hairpin Clip
12	736-0270	1	/P	Bell-Wash. 1/4" I.D.
13	738-0392	1		Deck Connecting Rod
22	618-0111	1	S	Spindle Ass'y. (R.H. & Center)
23	618-0112	1	S	Spindle Ass'y. (L.H.)
29	736-0119	1	S/F	Lock Wash. 5/16" I.D.
30	736-0510	1	S	Bell-Wash. .47" I.D. x 1.5"
31	742-0543	1	S	High Lift Blade 14.88" Lg. (Middle)
32	742-0542	1	S	High Lift Blade 16.28" Lg. (R.H. & L.H.)
35	17116	1	S/F	Deck Brake Brkt. Ass'y.
36	17213	1	S	Idler Bracket
37	17258A	1	S	Belt Cover Brkt. - R.H.
38	783-0066	1	S	Belt Cover - L.H.
39	710-0152	1	S	Hex Bolt 3/8-24 x 1.0" Lg.
40	710-0151	1	/P	Hex Bolt 3/8-24 x 2" Lg.
41	710-0559	1	F	Hex Bolt 1/4-28 x 1.75" Lg.
42	710-0599	1	/P	Hex Wash. Hd. Tap-Scr. 1/4-20 x .5" Lg.
43	710-0624	1	/P	Hex Bolt 5/16-24 x 1.5" Lg. (Grade 5)
44	710-0698	1	/P	Hex Bolt 1/4-28 x 1.5" Lg.
46	711-0993	1	S	Belt Guard Pin 1/4" Dia.
47	712-0117	1	S/F	Hex Cent. L-Nut 1/4-28 Thd.
48	712-0123	1	/P/F	Hex Nut 5/16-24 Thd.
49	712-0138	1	S/F	Hex Nut 1/4-28 Thd.
50	712-0241	1	/P	Hex Nut 3/8-24 Thd.
51	712-0287	1	S/F	Hex Nut 1/4-20 Thd.
52	712-0417	1	S	Hex Flange L-Nut 5/16-18 Thd.
53	727-0426	1	F	Brake Cable Ass'y.
	727-0445	1	S/F	Brake Cable Ass'y. (Style 9)
54	732-0594A	1	S	Extension Spring 6.17" Lg.
55	732-0429A	1	S/F	Extension Spring 3.97" Lg.
56	736-0105	1	/P	Bell-Wash. .38" I.D. x .88" O.D.
57	736-0331	1	/P	Bell-Wash. .39" I.D. x 1.13" O.D.
61	736-0329	1	S/F	L-Wash. 1/4" I.D.
62	736-0416	1	F	FI-Wash. 5/16" I.D. x 3" O.D.
63	738-0347	1	S	Shld. Spacer .625" I.D.
64	748-0234	1	/P/F	Shld. Spacer
65	750-0214	1	F	Spacer .34" I.D.
66	750-0470	1	F	Spacer .326" I.D.
67	754-0349	1	S	V-Belt
68	754-0350	1	S	V-Belt
69	756-0627	1	S	FI-Idler Pulley 3.5" O.D.
70	756-0969	1		Pulley 5.0" Dia.
71	756-0977	1	S	Double Pulley 5.0" Dia.
72	711-0701	1	S/F	Clevis Pin 1/4" Dia. x .53" Lg.
73	712-0798	1		Hex Nut 1/4-20 Thd.

144U836H190 46" Garden Tractor Hydrostatic GT-185 (1994)  
Deck And Chute Assembly

Page 7 of 22

Ref #	Part Number	Qty	S/P/F	Description
74	714-0104	1	S/F	Intern. Cotter Pin 5/16" Dia.
75	714-0145	1	S	Intern. Cotter Pin 3/8 Dia.
76	734-0973	1	/P	Deck Wheel 5" Dia.
77	734-3058B	1	S	Deck Wheel w/Insert 5" Dia.
78	736-0169	1	S/F	L-Wash. 3/8" I.D.
79	736-0192	1	S	FI-Wash. .531" I.D.
80	738-0533	1	S	Shoulder Bolt .498" Dia. x 1.64" Lg.
81	738-3056	1	S	Shoulder Bolt
83	732-0602	1	S	Torsion Spring
84	703-1693	1	S	Hinge Mtg. Brkt.
85	726-0106	1	S	Push Nut
86	731-1032	1	S	Chute Ass'y. Comp. Includes items 8, 83, 84, 85 & 86.
87	750-0757	1	S	Spacer 5/8" I.D. x 7/8" O.D.
88	17982	1	S	Spindle Reinforcement Plate
89	710-1261	1	S	Hex Wash. Hd. Scr. 5/16-18 x 1" Lg.
90	710-1260	1	S	Hex Wash. Hd. Scr. 5/16-18 x .75" Lg.
91	730-1262	1		Hex L-Bolt 7/16-20 x 1" Lg.
92	711-0242	1	S	Spacer .38" I.D.
93	710-0289	1	S	Hex Bolt 1/4-20 x .5" Lg.

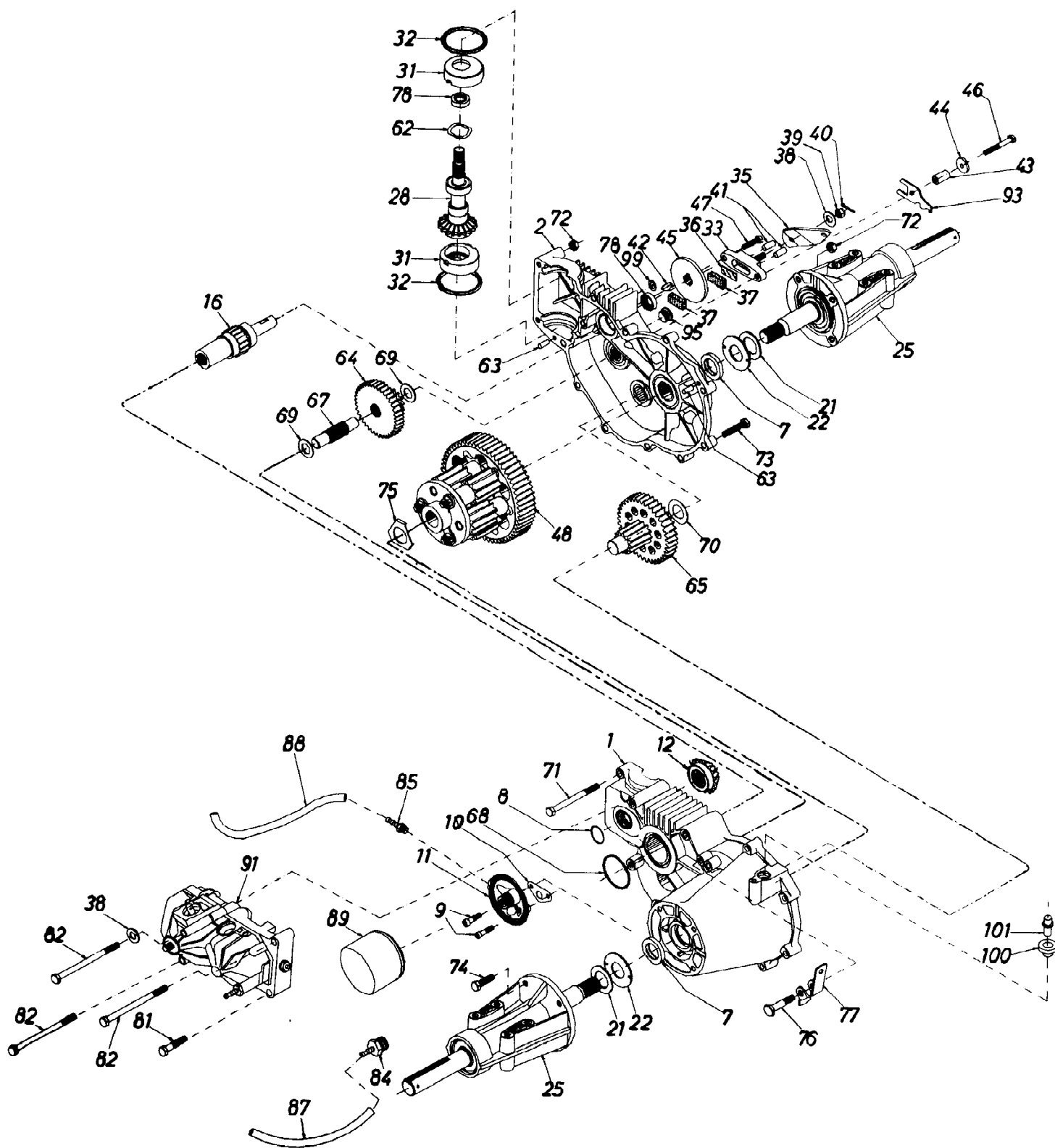




144U836H190 46" Garden Tractor Hydrostatic GT-185 (1994)  
Electrical System

Page 9 of 22

Ref #	Part Number	Qty	S/P/F	Description
1	725-0925	1	S	Ammeter
2	725-1381	1	S	Fuse 20 Amp
3	725-1426	1	S	Solenoid
4	725-0561	1	S	Wire
5	725-0981	1		6 Ga. Red Wire 20" Lg.
6	725-0963	1	S	Bulb
7	725-1649	1	S	Socket
8	629-0095	1	S	Wire Harness
9	725-1657	1	S	Safety Switch (Clutch)
10	725-1085	1	S	6 Ga. Black Wire
11	725-1635	1	S	Battery (275 Cold Crank Amps)
12	725-0893	1	S	Switch (PTO)
?13	725-0379	1		Safety Switch (Clutch)
14	725-0634	1	S	Light Switch
15	725-1396	1	S	Ignition Switch
17	725-1648	1	S	Relay
18	725-1643	1		Spring Lever
20	725-1303	1	S	Safety Switch (Seat)
21	725-3018	1		Taillight
27	725-1365	1	S	Bulb
28	725-1548	1		Transmission Ext. Wire
29	725-1380	1		Taillight Harness
30	725-3020	1	S	Bulb
31	725-1439	1		Safety Switch (Seat)
38	751-0537	1		Oil Pressure Switch
39	726-0272	1	/P	Clamp 9/16" Dia.
40	726-0273	1		Clamp 5/16" Dia.
41	726-0178	1	S	Cable Tie



144U836H190 46" Garden Tractor Hydrostatic GT-185 (1994)  
Hydrostatic Transmission

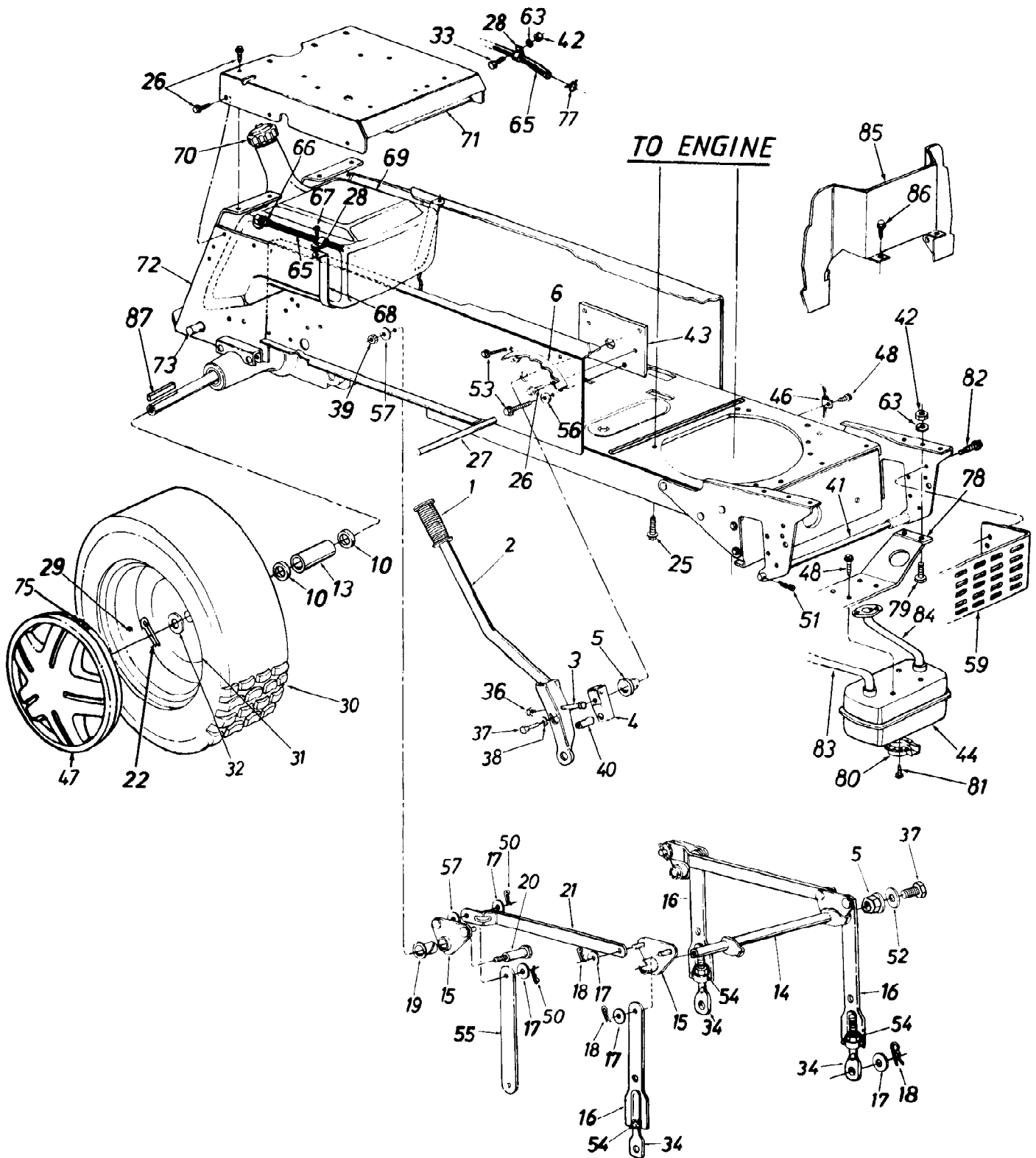
Page 11 of 22

Ref #	Part Number	Qty	S/P/F	Description
1	HG-52881	1		Housing - L.H. Ass'y.
2	HG-52879	1		Housing - R.H. Ass'y.
7	HG-44782	2		Oil Seal .984" x 1.5" x .25"
8	HG-50070	1		Quad Ring
9		2		1/4-20 x 1
10	HG-44920	1		Filter Base Gasket
11	HG-70053	1	/P	Filter Base Ass'y.
12	HG-62876	1		Pinion Ass'y.
16	HG-62877	1		Brake Shaft Ass'y.
21	HG-44805	2		Washer, 1.0" x 1.63" x .08"
22	HG-44806	2		Washer, 1.0" x 2.06" x .09"
25	HG-82888	2	S	Axle Mounting Horn Ass'y.
28	HG-70054	1		Input Ass'y.
31	HG-44800	2		Ret. Bearing
32	HG-44802	2		O-Ring 2-1/2" O.D.
33	HG-62589	1	/P	(Sub) Brake Yoke Ass'y.
35	HG-44094	1	/P	Brake Arm
36	HG-44134	1	S	Puck Plate
37	HG-44132	2	S	Brake Puck
38	HG-44130	2	S	Washer, 7/16" x 7/8" O.D. x .060 H.T.
39	HG-44142	1	S	Nut, Castle 5/16-24 PL
40	HG-44101	1	S	Cotter Pin
41	HG-44127	2	S	Brake Actuating Pin
42	HG-44143	1	S	Hi-Pro Key 3/16" x 5/8"
43	HG-23711	1		Torsion Spring Spacer
44	HG-44278	1		Washer 7/8 O.D. x .260 I.D. x 1/8
45	HG-44090	1	S	Disc Brake
46	HG-44300	1		Bolt 1/4-20" x 2 W/Nylok Gr. 5
47	HG-44433	1		Bolt 1/4-20" x 1 W/Nylok Gr. 5
48	HG-62834	1		Differential Ass'y.
62	HG-44843	1		Wave Washer
63	HG-44757	2		Dowel Pin
64	HG-44776	1		Reduction Gear 14T-38T
65	HG-70051	1		Final Drive Pinion Ass'y.
67	HG-44779	1		Jack Shaft
68	HG-44781	1		O-Ring
69	HG-44795	2		FI-Wash. 5/8" I.D. x 1-5/32" O.D. Ht.
70	HG-44794	1		FI-Wash. 7/8" I.D. x 1-1/2" O.D. Ht.
71	HG-44827	2		Hex Bolt H.D. 5/16-18" x 3-1/2"
72	HG-43064	4		Hex Lock Nut 5/16-18" 2-Way Plt.
73	HG-44841	11		Hex Bolt 5/16-18" x 1-1/2" Gr. 5 Plt.
74	HG-45089	7		Hex Bolt 5/16-18" x 1
75	HG-44880	1		Differential Washer .050
76	HG-44785	1		Shld. Bolt
77	HG-44786	1		Freewheel Actuating Arm
78	HG-44761	2	S	Oil Seal .625" x 1.0" x .25"
81	HG-43084	1		Hex Bolt 5/16-18" x 1-3/4"
82	HG-44820	3		Hex Bolt 5/16-18" x 4-1/2"
84	HG-50009	1		SAE Port Straight Fitting 7/8"
85	HG-50010	1		SAE Port Straight Fitting 7/16"
87	HG-50011	1		Hose, 8-1/2" Long
88	HG-50012	1		Hose 10-1/2" Long
89	HG-50037			

144U836H190 46" Garden Tractor Hydrostatic GT-185 (1994)  
Hydrostatic Transmission

Page 12 of 22

Ref #	Part Number	Qty	S/P/F	Description
91	HG-BDU-10L-256	1		Transmission
93	17434A	1		Bracket
95	HG-9005110-5600	1	/P	Straight Thread Plug
99	HG-50136	1		Washer 5/16" I.D. x 9/16" O.D.
100	HG-50133	1	/P	Vent Bushing
101	HG-50134	1	/P	Vent
?102	HG-70052	1		Seal Kit



144U836H190 46" Garden Tractor Hydrostatic GT-185 (1994)  
Lift Handle And Lift Shaft Assembly

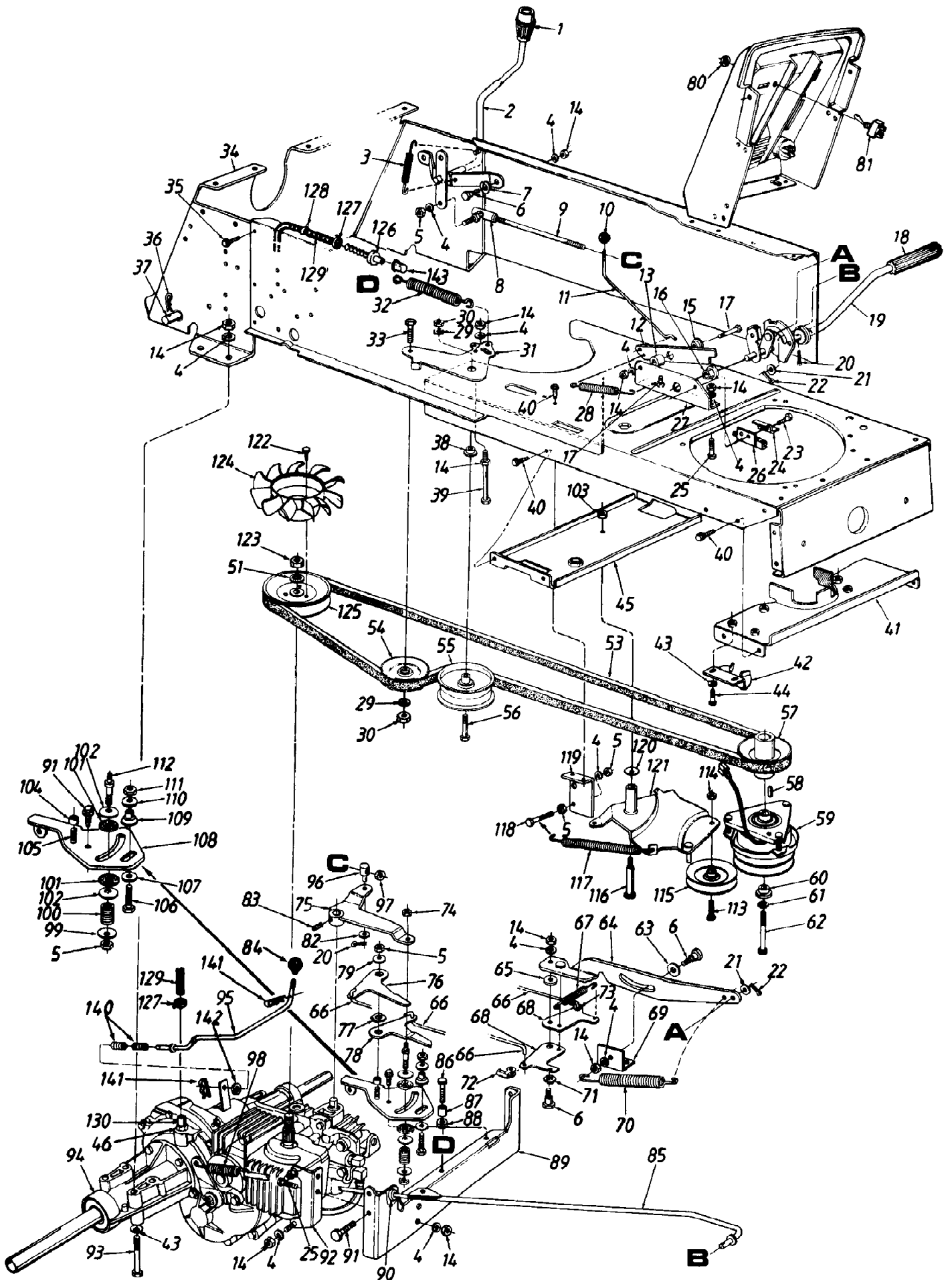
Page 14 of 22

Ref #	Part Number	Qty	S/P/F	Description
1	720-0233	1	S	Grip
2	17282	1	S	Lift Handle Ass'y.
3	710-0442	1	S/F	Hex Bolt 5/16-18 x 1.5" Lg.
4	748-0274A	1	/P	Lift Shaft Drive
5	741-0225	1	S	Plastic Hex Brg. 5/8" I.D.
6	14231	1	S	Index Brkt. Deck Lift
?7	737-0286	1		Oil Drain Pipe Not shown
?8	751-3001	1		Oil Drain Plug Not shown
10	736-0163	1	S	FI-Wash. 1.03" I.D. x 1.62" O.D.
13	750-0762	1		Spacer 1" I.D. x 1.25" O.D.
14	13889	1		Lift Shaft Ass'y.
15	13895	1		Lift Pivot Brkt. Ass'y.
16	17303	1	S	Adj. Deck Lift Link
17	736-0192	1	S	FI-Wash. 1/2" I.D. x 1.00" O.D. x .090"
18	714-0101	1	S	Hairpin Cotter
19	741-0295	1	S	Nyliner 5/8" I.D. x .88" Lg.
20	738-0445	1	S	Shld. Bolt 5/8" Dia. x .96" Lg. 3/8-16
21	13790	1	S	Connecting Link
22	714-0142	1	/P	Cotter Pin 3/16" Dia. x 1.5" Lg.
25	710-0502A	1	/P	Hex Wash. Hd. Scr. 3/8-16 x 1.25" Lg.
26	710-0726	1	/P	Hex Thd. Rolling Scr. 5/16-18 x .75" Lg.
27	738-0435	1		Running Board Rod
28	726-0272	1	/P	Clamp
29	734-0255	1	S	Air Valve
30	734-1005	1		Rear Wheel Ass'y. Comp.
	734-0322	1		Tire Only
31	734-1015	1		Rear Wheel Rim Only
32	736-0345	1	S	Flat Washer
33	710-0258	1	S	Hex Bolt 1/4-20 x .62" Lg.
34	711-0817	1	S	Eye Bolt Adj. Link 1/2-13 Thd.
36	712-0158	1	S	Hex Cent. L-Nut 5/16-18 Thd.
37	710-0237	1	/P/F	Hex Bolt 5/16-24 x .62" Lg.
38		1		UNKNOWN
39	712-0181	1	S	Hex Top L-Nut 3/8-16 Thd.
40	732-0369	1	S	Compression Spring
41	738-0777	1	S	Deck Connecting Rod
42	712-0287	1	S/F	Hex Nut 1/4-20 Thd.
43	14170	1	S	Index Brkt. Reinforcement Plate
44	751-0557	1	S	Muffler
46	726-0273	1		Mounting Clamp
47	734-1785	1	S	Hub Cap
48	710-0599	1	/P	Hex Wash. Hd. TT-Tap Scr. 1/4-20 x .5" Lg.
50	714-0111	1	S	Cotter Pin .09 Dia. x 1.0" Lg.
51	714-0149B	1	S	Int. Cotter Pin
52	736-0231	1	S	Flat Wash. .34" I.D. x 1.12" O.D. x .125"
53	710-0600	1	/P	Hex Wash. Hd. AB-Tap Scr. 5/16-24 x .5" Lg.
54	712-0206	1	S	Hex Nut 1/2-13 Thd.
55	14399	1	S	Deck Link
56	736-0264	1	S	FI-Wash. .344" I.D.
57	736-0219	1	S	Bell-Wash. .4" I.D. x 1.13" O.D.
59	783-0023	1	S	Heat Shield
63	736-0329	1	S/F	L-Wash. 1/4" I.D.
65	751-0535-46			

144U836H190 46" Garden Tractor Hydrostatic GT-185 (1994)  
Lift Handle And Lift Shaft Assembly

Page 15 of 22

Ref #	Part Number	Qty	S/P/F	Description
66	726-0205	1	/P	Hose Clamp
67	710-0776	1	S	Hex AB-Tap Scr. 1/4 x .62" Lg.
68	17424	1		Fuel Tank Strap
69	751-0566	1		Gas Tank
70	751-0531B	1	/P	Gas Gauge
71	16848C	1	S	Seat Plate
72	17343	1		Hitch Plate
73	738-0482	1		Hitch Rod
75	727-0425A	1	S	Spring Clip
77	726-0272	1	/P	Hose Clamp
78	17958	1		Muffler Mounting Brkt.
79	710-0258	1	S	Hex Bolt 1/4-20 x .62" Lg.
80	751-0564	1	S	Muffler Deflector
81	710-0148	1	/P	Hex Wash. Hd. F-Tap Scr. #8 x .32" Lg.
82	710-0604	1	S	Hex Wash. Hd. TT-Tap Scr. 5/16"-18 x .62" Lg.
83	751-0558	1		Exhaust Tube - R.H.
84	751-0559	1	S	Exhaust Tube - L.H.
85	783-0037	1		Top Heat Shield
86	710-1246	1	S	Hex Wash. Hd. Scr. #8-32 x .5" Lg.
87	714-0120	1		Sq. Key 1/4" x 3" Lg.





144U836H190 46" Garden Tractor Hydrostatic GT-185 (1994)  
Speed Control Lever And Drive Assembly

Page 17 of 22

Ref #	Part Number	Qty	S/P/F	Description
1	720-0218	1	/P	Shift Knob
2	647-0010	1		Speed Control Lever Ass'y.
3	732-0433	1		Ext. Spring 2.75" Lg.
4	736-0119	1	S/F	L-Wash. 5/16" I.D.
5	712-0123	1	/P/F	Hex Nut 5/16-24 Thd.
6	738-0296	1	S	Shld. Bolt .437" Dia. x .268"
7	736-0141	1	S	Spr. Wash. .445" I.D. x .75" O.D.
8	723-3012	1	S	Ball Joint 5/16-24 Thd.
9	747-0857	1		Speed Selector Adjusting Rod
10	720-0166	1	/P	Ball Knob
11	747-0876	1		Brake Lockout Rod
12	16980	1		Brake Lockout Brkt.
13	750-0214	1		Spacer .34" I.D. x .88" O.D.
14	712-0267	1	S/F	Hex Nut 5/16-18 Thd.
15	748-0234	1	/P	Shld. Spacer .27" Lg.
16	741-0225	1	S	Hex Flange Bearing
17	710-0528	1	/P	Hex Bolt 5/16-18 x 1.25" Lg.
18	735-0196	1	S	Foot Pad
19	17911	1		Foot Pedal Ass'y.
20	714-0111	1	S	Cotter Pin 3/32" Dia. x 1" Lg.
21	736-0275	1	S	FI-Wash. .34" I.D. x .68" O.D.
22	714-0115	1	S	Cotter Pin 1/8" Dia. x 1" Lg.
23	710-0436	1	S	Hex B-Tap Scr. #10 x .62" Lg.
24	17962	1		Switch Plate
25	710-0118	1	S	Hex Bolt 5/16-18 x .75" Lg.
26	725-1657	1	S	Safety Switch (Clutch) Code: N notates a new part (not previously existing).
27	16924A	1	/P	Clutch Ass'y. Mtg. Brkt.
28	732-0395	1	S	Ext. Spring 2.51" Lg.
29	736-0169	1	S/F	L-Wash. 3/8" I.D.
30	712-0798	1	/P/F	Hex Nut 3/8-16 Thd.
31	783-0056	1		Idler Brkt.
32	732-0470	1	S	Ext. Spring 4.75" Lg.
33	710-0344	1	/P	Hex Bolt 3/8-16 x 1.5" Lg.
34	17344A	1		Hitch Plate
35	710-0726	1	/P	Hex Wash. AB-Tap Scr. 5/16 x .75" Lg.
36	714-0147	1		Hitch Pin
37	738-0482	1		Hitch Rod
38	738-0347	1	S	Shld. Spacer .625" I.D.
39	710-0176	1	/P	Hex Bolt 5/16-18 x 2.75" Lg.
40	710-0599	1	/P	Hex Wash. Hd. TT-Tap Scr. 1/4-20 x .5" Lg.
41	17358D	1	S	Belt Guard Brkt. Code: N notates a new part (not previously existing).
42	17418	1	S	Torque Bracket
43	736-0242	1	/P	Bell-Wash. .345" I.O. x .88" O.D.
44	710-3008	1	/P	Hex Cap Scr. 5/16-18 x .75" Lg. (Gr. 5)
45	16888	1	S	Deck Idler Support Brkt.
46	721-0330	1		O-Ring
51		1		UNKNOWN
53	754-0435	1	S	"V" - Belt
54	756-0116	1	S	Idler Pulley
55	756-0515			

144U836H190 46" Garden Tractor Hydrostatic GT-185 (1994)  
Speed Control Lever And Drive Assembly

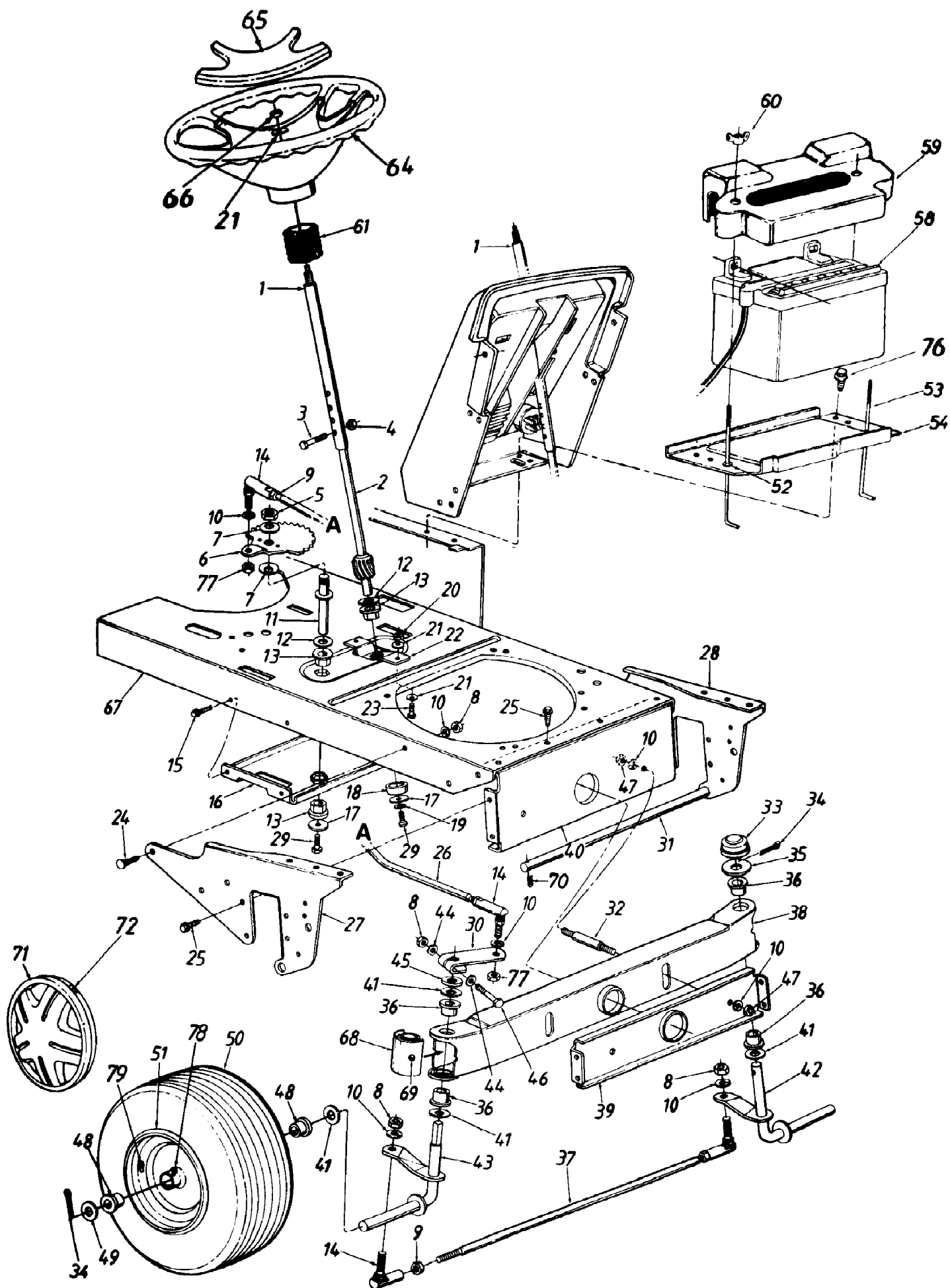
Page 18 of 22

Ref #	Part Number	Qty	S/P/F	Description
56	710-3096	1	/P	Hex Bolt 3/8-16 x 2" Lg. (Gr. 8) Code: N notates a new part (not previously existing).
57	756-0637	1		Engine Pulley
58	714-0128	1	/P	Sq.-Key 1/4" x 1" Lg.
59	717-0949	1	S	Electric Clutch
60	738-0785	1	S	Shld. Spacer
61	736-0171	1	S	L-Wash. 7/16" I.D.
62	710-1049	1	/P	Hex Cap Bolt 7/16-20 x 3.75" Lg.
63	736-0179	1	S	FI-Wash. .531" I.D. x 1.25" O.D.
64	683-0030	1		Neutral Return Link Ass'y.
65	736-3074	1		FI-Wash. .344" I.D. x 1.12" O.D. (Hdn.)
66	747-0880	1		Connecting Rod
67	732-0387	1		Ext. Spring 2.5" Lg.
68	17757	1		Balancer Brkt.
69	17755A	1		Bracket
70	732-0717	1		Ext. Spring 3.94" Lg.
71	736-0141	1	S	Spr. - Wash. .445" I.D. x .75" O.D.
72	726-0281	1		Rod End Clevis Clip - R.H.
73	726-0280	1		Rod End Clevis Clip - L.H.
74	712-0116	1	S	Hex Ins. L-Nut 3/8-24 Thd.
75	683-0032A	1		Pintle Bracket Ass'y. Code: N notates a new part (not previously existing).
76	783-0053	1		Flat Scissors
77	736-0174	1	/P	Spr. Wash. .625" I.D. x .885" O.D.
78	783-0054	1		Offset Scissors
79	736-3078	1	/P	FI-Wash. .344" I.D. x 1" O.D. (Hdn.)
80	712-3014	1		Hex Nut 1/2-27 Thd.
81	725-0893	1	S	Toggle Switch
82	736-0185	1	S	FI-Wash. .406" I.D. x .75" O.D.
83	710-0257	1		Hex Socket Set Screw
84	720-0187	1		Ball Knob
85	647-0006	1		Brake Rod Ass'y.
86	710-0778	1	/P	Hex Wash. Hd. Scr. 1/4-20 x 1.5" Lg.
87	750-0555	1		Spacer .39" Lg.
88	712-3006	1	/P	Hex Nut 1/4-20 Thd. (Gr. 5)
89	783-0051	1		Transaxle Torque Brkt.
90	731-0555A	1	/P	Grommet
91	710-0604	1	S	Hex Wash. Hd. TT-Tap Scr. 5/16-18 x .62" Lg.
92	783-0050	1		Transaxle Torque Brace
93	710-0189	1	/P	Hex Bolt 5/16-18 x 3" Lg.
94	718-0241	1		Transaxle (See Breakdown)
95	747-0909	1		Bypass Rod
96	711-0198	1	S	Ferrule 3/8-24 Thd.
97	712-0711	1	/P	Hex Jam Nut 3/8-24 Thd.
98	732-0716	1	S	Ext. Spring 4.01" Lg.
99	736-3008	1	S	FI-Wash. .312" I.D. x .75" O.D.
100	732-0718	1		Comp. Spring 1.19" Lg.
101	761-0196	1	S	Friction Washer
102	736-0219	1	S	Bell-Wash. .40" I.D. x 1.13" O.D.
103	712-0375	1	/P	Hex Cent. L-Nut 3/8-16 Thd.

144U836H190 46" Garden Tractor Hydrostatic GT-185 (1994)  
Speed Control Lever And Drive Assembly

Page 19 of 22

Ref #	Part Number	Qty	S/P/F	Description
104	750-0808	1	/P	Spacer
105	710-1012	1	/P	Rib Neck Bolt 5/16-18 x .62" Lg.
106	710-0299	1		Hex Bolt 1/4-28 x 1" Lg. (Gr. 5)
107	736-3090	1	/P	Fl-Wash. .26" I.D. x .72" O.D.
108	783-0052	1		Scissors Mtg. Brkt.
109	750-0918	1		Centering Gauge Spacer
110	736-0270	1	/P	Bell-Wash. 1/4" I.D.
111	712-0138	1	S/F	Hex Nut 1/4-28 Thd."
112	738-0879	1	S	Friction Disc Stud
113	710-0459	1	S	Hex Bolt 3/8-24 x 1.5" Lg.
114	712-0214	1	S	Hex Cent. L-Nut 3/8-24 Thd.
115	756-0293A	1	S	V-Belt idler
116	738-0129	1		Shld. Bolt .498" Dia. x 2.05
117	732-0180	1	S	Ext. Spring 4" Lg.
118	710-0409	1	/P	Hex Bolt 5/16-24 x 1.75" Lg.
119	13833	1	S	Parking Brake Mtg. Brkt.
120	736-0105	1	/P	Bell-Wash. .38" I.D. x .88" O.D.
121	14076A	1	S	Idler Brkt. Deck Ass'y.
122	710-3007	1	/P	Hex Wash. Hd. Tap Scr. #12 x 3/8" Lg.
123	712-3035	1	/P	Hex Jam Nut 9/16-18 Thd.
124	731-1449	1	S	Fan
125	756-0635	1	S	Input Pulley
126	731-1470	1		Plastic Vent
127	726-0324	1	S	Rubber Grommet
128	725-0157	1	/P	Cable Tie
129	751-0588	1		Hose 1/2" I.D. x 18" Lg.
130	731-1485	1		Hose Fitting
140	732-0145	1	/P	Comp. Spring 1" Lg.
141	714-0104	1	S	Hairpin Clip
142	736-0463	1	S	Fl-Wash. 1/4" I.D.
143	731-1481	1		Plastic Vent Cap



144U836H190 46" Garden Tractor Hydrostatic GT-185 (1994)  
Steering Assembly

Page 21 of 22

Ref #	Part Number	Qty	S/P/F	Description
1	16512	1		Steering Column Ass'y.
2	738-0763	1	S	Lower Steering Shaft
3	710-0958	1	/P	Hex Bolt 1/4-20 x 1.31" Lg.
4	712-0324	1	/P	Hex L-Nut 1/4-20 Thd.
5	712-0337	1	F	Hex Nut 5/8-18 Thd.
6	717-0943A	1	S	Steering Gear Segment
7	736-0317	1	/P	Bell-Wash. 5/8" I.D. x 1.25" O.D.
8	712-0241	1	/P	Hex Nut 3/8-24 Thd.
9	712-0711	1	/P	Hex Jam Nut 3/8-24 Thd.
10	736-0169	1	S/F	L-Wash. 3/8" I.D.
11	738-0768	1		Steering Gear Segment Shaft
12	736-0187	1	/P	FI-Wash. .64" I.D. x 1.24" O.D.
13	748-0227A	1	S	Hex Flange Brg..63" I.D.
14	723-3018	1	S	Ball Joint Ass'y.
15	710-0599	1	/P	Hex Wash. Hd. TT-Tap Scr. 1/4-20 x .5" Lg.
16	16888A	1	S	Deck Idler Support Brkt. Code: N notates a new part (not previously existing).
17	736-0343	1	/P	FI-Wash. .33" I.D. x 1.25" O.D.
18	750-0532	1	S	Spacer .985" I.D. x 1.25" O.D.
19	736-0119	1	S/F	L-Wash. 5/16" I.D.
20	712-0123	1	/P/F	Hex Nut 5/16-24 Thd.
21	736-0242	1	/P	Bell-Wash. .345" I.D. x .88" O.D.
22	16894	1	S	Bearing Retainer Brkt.
23	710-0157	1	/P	Hex Bolt 5/16-24 x .75" Lg.
24	710-0793	1		Ribbed Neck Bolt 3/8-24 x .8" Lg.
25	710-0604	1	S	Hex Wash. TT-Tap Scr. 5/16-18 x .62" Lg.
26	747-0579	1	S	Steering Drag Link
27	16896A	1		Pivot Bar Side Plate - R.H. Code: N notates a new part (not previously existing).
28	16897A	1		Pivot Bar Side Plate - L.H. Code: N notates a new part (not previously existing).
29	710-0538	1	/P	Hex Bolt 5/16-18 x .62" Lg.
30	683-0061	1	S	Steering Arm Ass'y. Code: N notates a new part (not previously existing).
31	738-0777	1	S	Deck Connecting Rod
32	738-0775	1		Pivot Bar Shld. Bolt 3/8-16 x 5/8" Lg.
33	731-0484A	1	S	Cap
34	714-0121	1	S	Cotter Pin 5/32" Dia.
35	736-0316	1	S	Flat Washer
36	741-0523	1	S	Flange Brg. .757" I.D.
37	747-0721	1		Tie Rod 20.25" Lg.
38	16843	1	S	Pivot Bar Assy.
39	16889	1	S	Pivot Bar Support Brkt. - Front
40	16890	1	S	Pivot Bar Support Brkt. - Rear
41	736-0188	1	/P	FI-Wash. .76" I.D. x 1.49" O.D.
42	16915	1	S	Front Axle Ass'y. - L.H.
43	16914	1	S	Front Axle Ass'y. - R.H.
44	736-0286	1	S	Bowed Washer
45	748-0160	1	S	Spacer .755" I.D. x 1.25" O.D.
46	710-0331	1	/P	Hex Bolt 3/8-24 x 2.25" Lg.
47	712-0798	1		Hex Nut 3/8-24 Thd.

144U836H190 46" Garden Tractor Hydrostatic GT-185 (1994)  
Steering Assembly

Page 22 of 22

Ref #	Part Number	Qty	S/P/F	Description
48	741-3032	1	S	Ball Brg. .75" I.D.
49	736-0316	1	S	Fl-Wash. .71" I.D. x 1.5" O.D.
50	734-1722	1		Wheel Ass'y. Comp.
	734-0275	1	/P	Tire Only
51	634-0071	1		Rim Only Code: N notates a new part (not previously existing).
52	726-0271	1	S	Push Nut
53	711-0222	1	S	Battery Hold Down Rod
54	17635	1	S	Battery Plate
58	725-1635	1	S	Battery (275 Cold Crank Amps)
59	731-1132	1		Battery Cover
60	712-0113	1	S	Wing Nut Plastic 1/4-20 Thd.
61	731-1519	1		Steering Bellow Code: N notates a new part (not previously existing).
64	631-0019	1		Steering Wheel Code: N notates a new part (not previously existing).
65	731-1509	1	S	Steering Wheel Insert Code: N notates a new part (not previously existing).
66	712-0237	1	S	Hex L-Nut 5/16-24 Thd.
67	17359B	1	S	Lower Frame
68	731-1049	1		Pivot Bar End Cap
69	737-0280	1	S	Grease Fitting
70	714-0149B	1	S	Internal Cotter Pin
71	734-1784	1	S	Hub Cap
72	727-0425A	1	S	Spring Clip
76	710-0776A	1	S	Hex AB-Tap Scr. 1/4 x .62" Lg.
77	712-0446	1	S	Hex Jam L-Nut 3/8-24 Thd.
78	737-0280	1	S	Grease Fitting
79	734-0255	1	S	Air Valve
	777-1822	1		Plastic Logo on Side Panel
	777-0186	1		Plastic Logo - Grille
	777-1969	1		GT-185 Hood Side Labels
	777-1970	1		GT-205 Hood Side Labels
	777-2248	1		Dash Label
	777-8214A	1		White Label - Fender
	777-4777	1		Reflective Label - Seat Back